

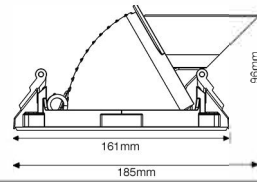
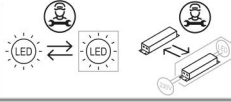


INSTALLATION MANUAL

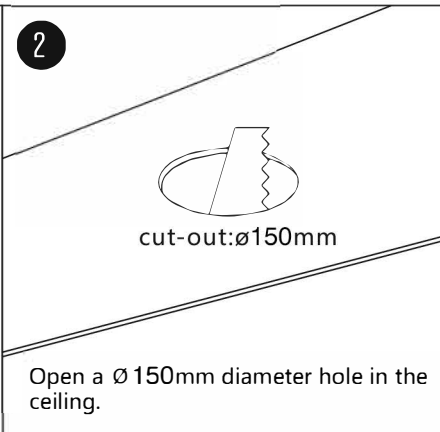
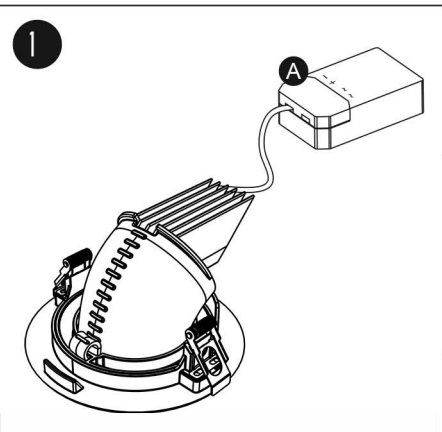
RAIDER BIO



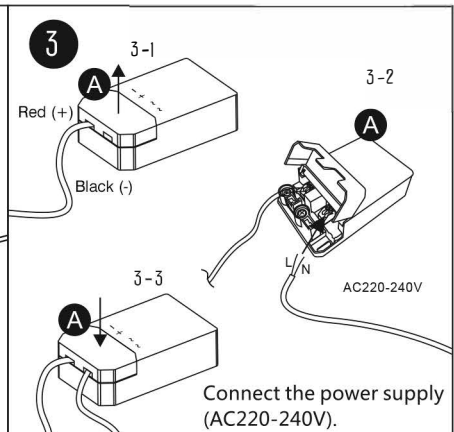
UOUT 33.6V DC | IP20 | Bioplastic |



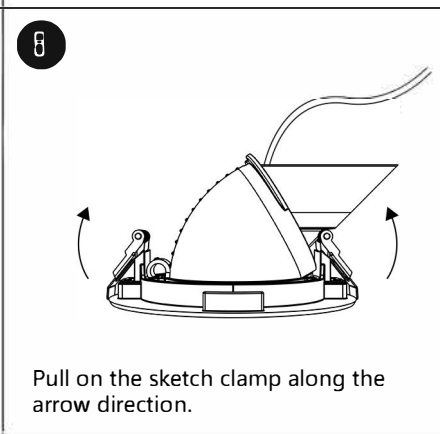
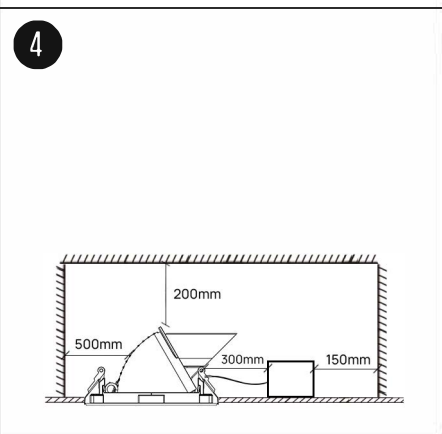
Do not operate with power supply connected.



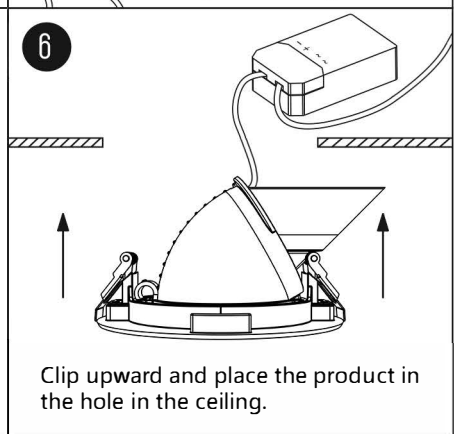
Open a Ø 150mm diameter hole in the ceiling.



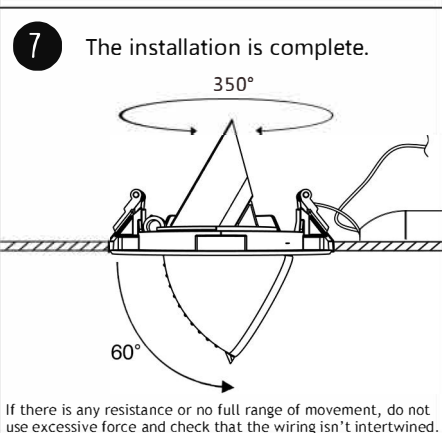
Connect the power supply (AC220-240V).



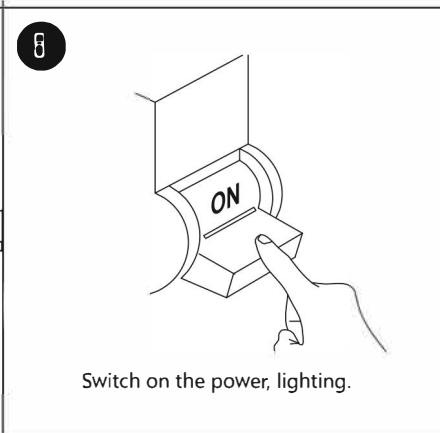
Pull on the sketch clamp along the arrow direction.



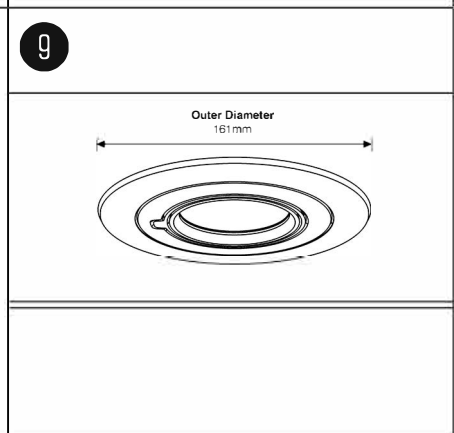
Clip upward and place the product in the hole in the ceiling.



If there is any resistance or no full range of movement, do not use excessive force and check that the wiring isn't intertwined.



Switch on the power, lighting.



Warnings:

- 1: Make sure that the product is installed properly before connecting to electricity supply.
- 2: Maintenance and installation should only be carried out by a professional electrician.
- 3: If in doubt, consult a qualified electrician.
- 4: The light source contained in this luminaire shall only be replaced by the manufacturer.
- 5: The LED driver shall only deliver SELV output.
- 6: Suitable for indoor use.