



Recessed adjustable spotlight made from sustainable biopolymers and complete with increased efficiency COB LED module, reflector and remote electronic driver. A fully upgradeable, circular economy spotlight



## Colours

As standard; White, Black and Grey.  
Special colours and textures available on request

## Light Source

COB LED module  
As standard; CRI90 in 2700, 3000, 3500 and 4000K  
Fashion in 3100, 3200 and 3500K  
Food in 2400 (bakery), 3100 (meat) and 2000K (pink meat)

## Reflectors

15, 25, 40 or 60-degree

## Materials

Housing made from Greentech Pro. Reflector made of coldforged aluminium.

## Driver

Electronic 50Hz On/off, DALI, Phase Cut Dimming and Casambi available

## Installation

Recessed

## Max Power

27w

## Max Lumens

4131

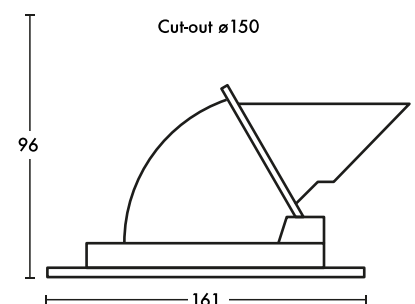
## Measurements

## Luminaire Lumens/Watt

Up to 153 (High Efficiency)

## IP Rating

IP20



shoplight.lighting

+44 (0)1733 345265