

# NORT GS with Casambi



Certified



Biopolymer



Modular Design



3D printed



Circu-light

Honeycomb Filter Elliptical Reflector Adjustable Barn Doors

A unique and compact design, this track-mounted spotlight offers a 90-degree tilt and 350-degree rotation. 3D printed from biopolymer, it includes an enhanced efficiency COB LED module, reflector, and track-mounted driver. Designed to be circular, NORT GS uses a modular design, so it is fully serviceable and upgradable. As part of the buy-back scheme, it can be returned to us at end of life when 72% of it can be reused or recycled.

## Colours

White, Black, and Grey  
Special colours and textures available  
Track is available in Black, White and Grey  
Ability to mix and match colours of the outer body and heat sink  
Up to 30 heatsink colours available

## Light Source

COB LED module  
CRI90; 2700, 3000, 3500 and 4000K  
CRI98; 3000 and 4000K  
Food; 2400K (Bakery)

## Variations

Lens LQ  
Reflector LE  
Integrated honeycomb filter  
Integrated elliptical reflector  
Adjustable barn doors

## Materials

Housing made from GreenTEC PRO  
Track adaptor made from polycarbonate

## Installation

Mounted to Global 3-circuit lighting track  
(surface, suspended & recessed)

## Driver

In-track On/Off with switchable outputs, DALI, and Casambi

## Reflectors

15, 25, 40 or 60-degree

## Max Power

27W

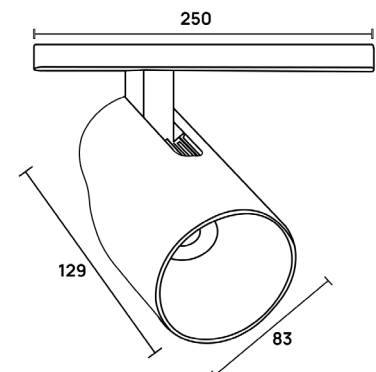
## Max Lumens

3807

## Luminaire Lumens/Watt

Up to 141

## Measurements



shoplight.lighting  
+44 (0)1733 345265