

NORT GS - Lens LQ



Certified



Biopolymer



Modular Design



3D printed



Circu-light



Adjustable Barn Doors

A unique and compact design, this track-mounted spotlight offers a 90-degree tilt and 350-degree rotation. 3D printed from biopolymer, it includes an enhanced efficiency COB LED module, reflector, and track-mounted driver. Designed to be circular, NORT GS uses a modular design, so it is fully serviceable and upgradable. As part of the buy-back scheme, it can be returned to us at end of life when 72% of it can be reused or recycled.

Colours

White, Black, and Grey
Special colours and textures available
Track is available in Black, White and Grey
Ability to mix and match colours of the outer body and heat sink
Up to 30 heatsink colours available

Light Source

COB LED module
CRI90; 2700, 3000, 3500 and 4000K
CRI98; 3000 and 4000K
Food; 2400K (Bakery)

Variations

Lens LQ
Reflector LE
Adjustable barn doors

Materials

Housing made from GreenTEC PRO
Track adaptor made from polycarbonate

Installation

Mounted to Global 3-circuit lighting track
(surface, suspended & recessed)

Driver

In-track On/Off with switchable outputs, DALI, and Casambi

Reflectors

20, 25, 33 or 50-degree

Max Power

27W

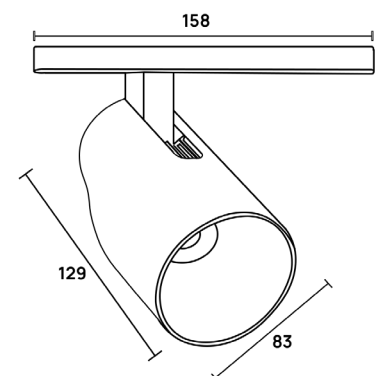
Max Lumens

3726

Luminaire Lumens/Watt

Up to 138

Measurements



shoplight.lighting
+44 (0)1733 345265