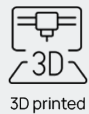
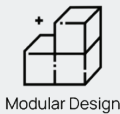


NORT GS Mini



Smaller than NORT GS, the Mini is transformative, delivering a modern and efficient aesthetic in a compact solution whilst lighting a space efficiently—a perfect luminaire for low ceilings. It offers 350-degrees of rotation and 90-degrees of angle adjustment. 3D printed from biopolymer materials, it uses a smaller in-track driver. Designed to be circular, NORT GS Mini uses a modular design, so it is fully serviceable and upgradable. As part of the buy-back scheme, it can be returned to us at end of life when 71% of it can be reused or recycled.

Colours

White, Black and Grey
Special colours and textures available
Track is available in Black, White and Grey

Light Source

COB LED module
CRI90; 2700, 3000, 3500 and 4000K
CRI98; 3000 and 4000K
Food; 2400K (Bakery)

Variations

Lens LQ - 15, 27 or 50-degree
Reflector LE - 15, 27 or 43-degree

Materials

Housing made from GreenTEC PRO
Track adaptor made from polycarbonate

Installation

Mounted to Global 3-circuit lighting track
(surface, suspended & recessed)

Driver

In-track On/Off with switchable outputs, DALI,
Phase Cut Dimming and Cassambi

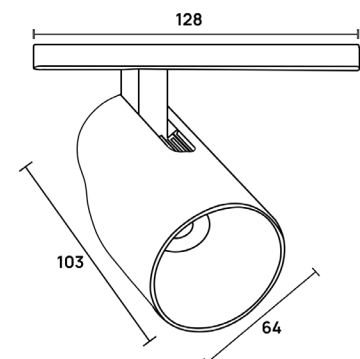
Max Power

14w

Max Lumens

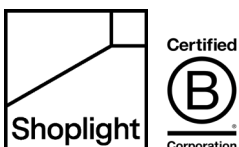
1696

Measurements



Luminaire Lumens/Watt

Up to 124



shoplight.lighting
+44 (0)1733 345265