

NORT GS Wall Washer



Certified



Biopolymer



Modular Design



3D printed



Circu-light



A unique and compact design, this track-mounted spotlight offers a 20-degree tilt and 350-degree rotation. 3D printed from biopolymer, it includes an enhanced efficiency COB LED module, reflector, and track-mounted driver. Designed to be circular, NORT GS WW uses a modular design, so it is fully serviceable and upgradable. As part of the buy-back scheme, it can be returned to us at end of life when 72% of it can be reused or recycled.

Colours

White, Black and Grey
Special colours and textures available
Track is available in Black, White and Grey

Light Source

COB LED module
CRI90; 2700, 3000, 3500 and 4000K
CRI98; 3000 and 4000K
Food; 2400K (Bakery)

Variations

None

Materials

Housing made from GreenTEC PRO
Track adaptor made from polycarbonate

Installation

Mounted to Global 3-circuit lighting track
(surface, suspended & recessed)

Driver

In-track On/Off with switchable outputs, DALI, and Casambi

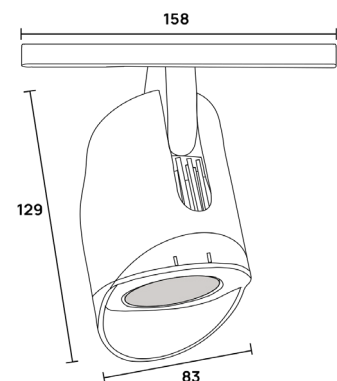
Max Power

27W

Max Lumens

2737

Measurements



Luminaire Lumens/Watt

Up to 110



shoplight.lighting
+44 (0)1733 345265